



DFD2000

Conventional visual flash

Certified EN54-23 CPR

DFD2000 is a conventional visual flash of fire alarm. Its round shape allows a wall or ceiling installation. It is also possible to flush mount it depending on the base which is associated. Thanks to its technology, you can cover an area of **8,4 mt of diameter** and up to 3,3 mt height. The device can be connected directly on the sounder line of a conventional panel or externally powered (commanded).



Main characteristics

- 3,3 mt height coverage
- 8,4 mt wide coverage
- Flash Red colour
- IP21C
- Flush mounting (option)
- Base for 2,5 mm wire

Power supply specification	
Main supply voltage	16Vdc to 26Vdc
Quiescent current (24Vdc)	<5mA max.
Alarm current (24Vdc)	<40mA
Frequency/Pulse duration	0,6Hz 170ms
Color of the flash	Red
Mechanical characteristics	
Connection	Base 2,5 mm
Unit dimensions (in mm)	H:64 D:109
IP rating	IP21C
Maximum section of cables	1 x 2,5mm ²
Material	ABS 5VB/ red color
Environmental characteristics	
Operating environment	From -10°C to +55°C with ≤ 90% non-condensing humidity
Storage environment	From -10°C to +55°C with ≤ 85% non-condensing humidity
Isolator characteristics	
Vnom	22V
Vmin	16V
Vmax	26V
ICmax	400mA
ISmax	1°
ILmax	100uA
ZCmax	400mΩ
VSOmax	10V
VSOmin	4V

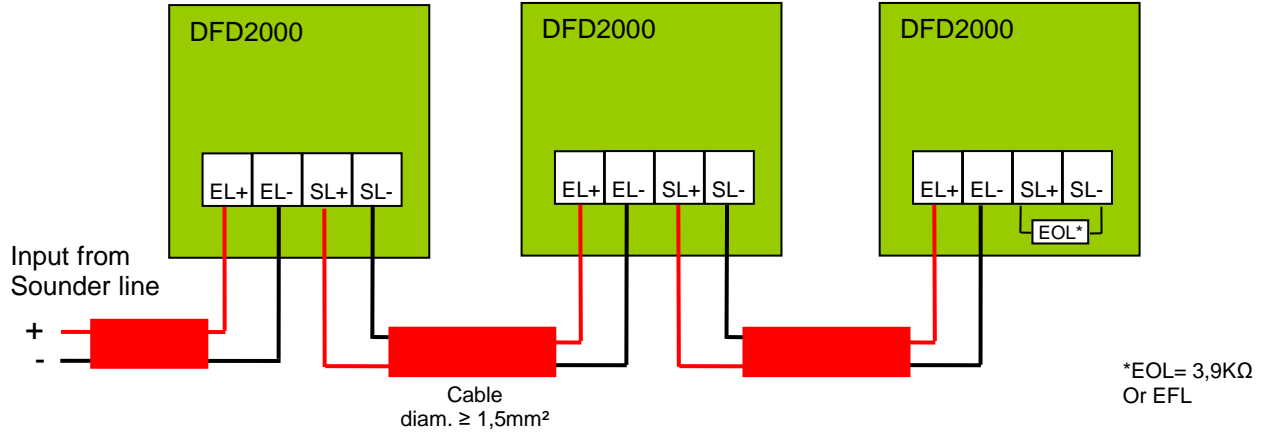




BTG05

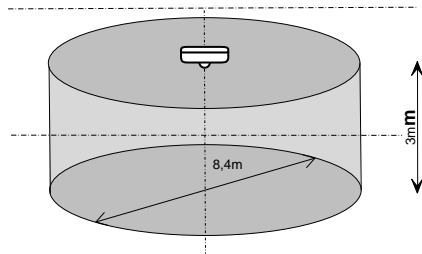
Air duct detector housing

Connection

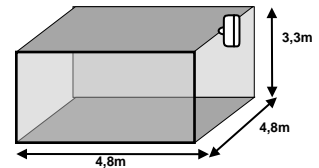
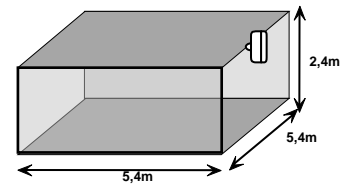


Coverage area

DFDA2000-R



Ceiling installation
Maximum height of the device: 3m



Wall installation

<u>REFERENCE</u>	<u>DESCRIPTION</u>
DFD2000-R1-RR	Conventional LED flash for diffusion

<u>OPTIONS</u>	
BASE 1,5	Base for DFD2000, socle 1,5

